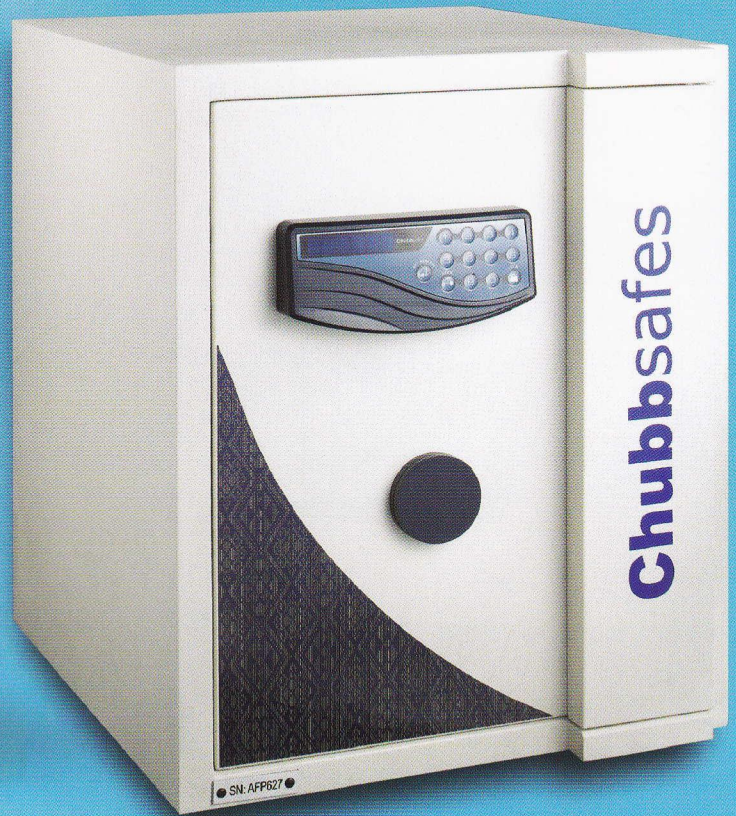


Electronic Home Safe is specially designed to protect limited amount of cash and valuables within a domestic or small office surrounding. It offers protection and convenience to both homes and offices with the latest design in electronic locks.



Electronic Home Safe

burglar resistant safe

Features

- **Body** - Overall thickness of 43 mm and comprising of an inner and outer plate of tough steel filled with Chubb safes patented PCDE fire resisting barrier material.
- **Door** - Overall thickness of 95 mm comprising both the main door and lock casing. The main door is 29mm thick filled with Chubb safes patented PCDE fire resisting barrier Material. The door is secured by 3-way moving steel bolts measuring 25mm in diameter. (2 front, 1 top and 1 bottom moving bolt) A full length docking bolt secures the back edge of the door.
- **Shelf** - Comes standard with one adjustable shelf.
- **Floor Mounting** - Comes standard with base bolting facility, with 9mm diameter drop in anchor.
- **Locking** - Fitted with electronic lock c/w overriding key to access the safe if there is an accidental lockout or any battery failures.
- **Fire Resistance** - Tested in accordance with the Japanese Industrial Standard JIS S1037 : 1989 for a 75 minutes fire resistant rating.
- **Finish** - A Polyurethane base paint finish is used to coat the body and door. The paint is both scratch resistant and durable.
- **Power Source** - 4 units of 'AA' size batteries supplied as standard.
- User-friendly operation via a 6-digit electronic lock offering 1 million differing codes.
- Clear LED display screen with large keypad buttons.
- Battery level indicator.
- 5 minutes 'Lockout' feature should there be 3 unauthorized attempts to open the safe.

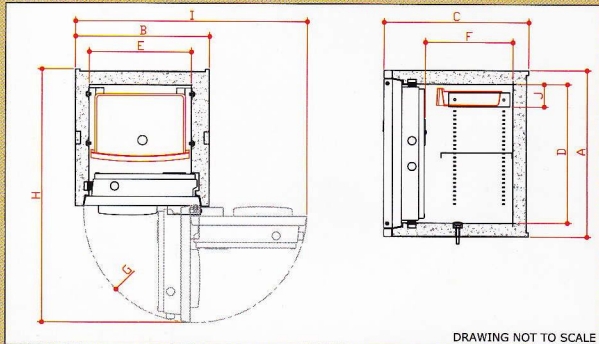


Chubb safes
Trusted the world over.

BURGLAR
RESISTANT

PRODUCT SPECIFICATIONS

External (mm)			Internal (mm)			General Information							
(A) Height	(B) Width	(C) Depth	(D) Height	(E) Width	(F) Depth	(G) Door Swing	(H) Depth With Door at 90°	(I) Width when Door is fully open	(J) Drawer height (Option)	Net weight (kg)	Gross weight (kg)	Capacity (litres)	No. of Adjustable Shelf
516	416	450	430	316	273	346	784	718	69	57	65	37	1



• Standard Locking



Electronic Lock
Furniture Projection: 30mm



Overriding Key

Usage of a 10 lever disc locks as an overriding key to access the safe if there is an accidental lockout or any battery failures.

OPTIONS

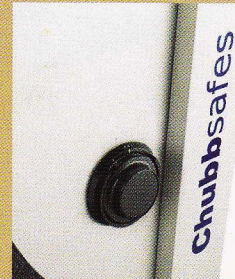
• Locking Options:



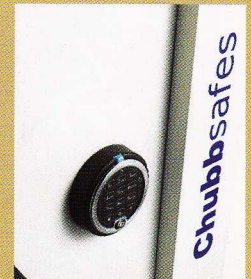
• ABS Drawer shown in the picture is an Optional Item.



a) 8-lever double bitting Key Lock only, certification under UL 437.
Furniture Projection: 27mm



b) 3-wheel Keyless Combination Lock only, listed under UL Group 2.
Furniture Projection: 30mm



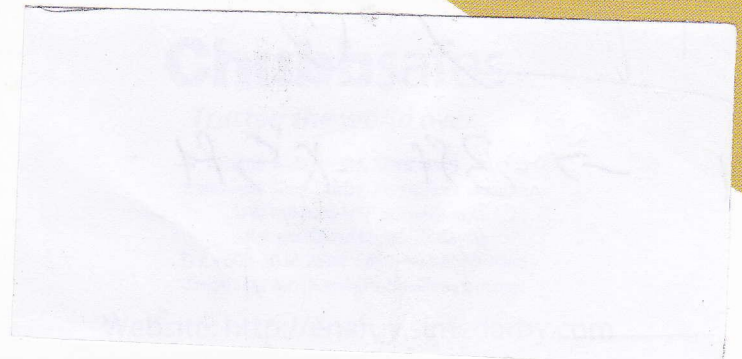
c) Z03 Digital Combination Lock, listed under UL Type 1. (Power Source 1 unit of 9V size battery)
Furniture Projection: 38mm

• Drawer - ABS Drawer c/w velvet and Brackets



• Barrier Material - Chubbsafes F60 specially formulated barrier material • NET WEIGHT: 115KG

Authorised dealer:



'Chubb' is a registered trademark owned by Chubb plc and is used under license

Note: Chubbsafes policy is one of constant improvement. We reserve the right to alter any specification contained in this publication without prior notification. Variance ± 5 mm.

A member of the  Sime Darby Group



MS ISO 9001:2000 REG NO. AR 0238